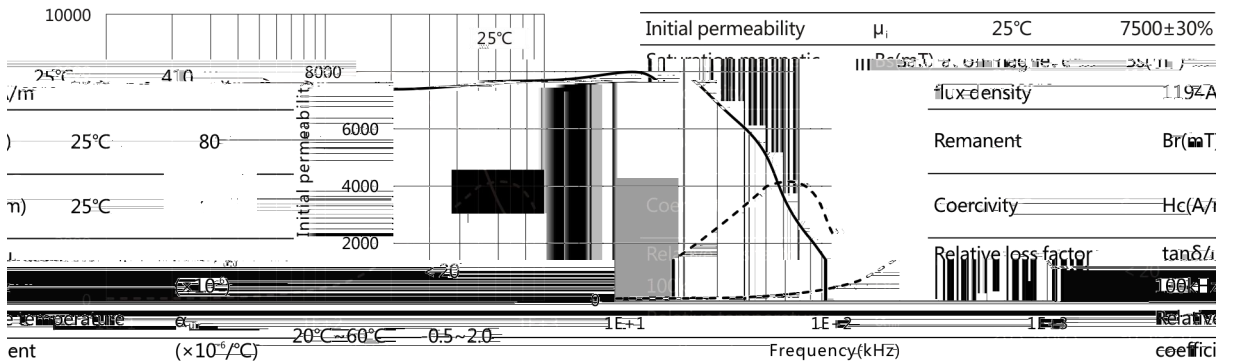


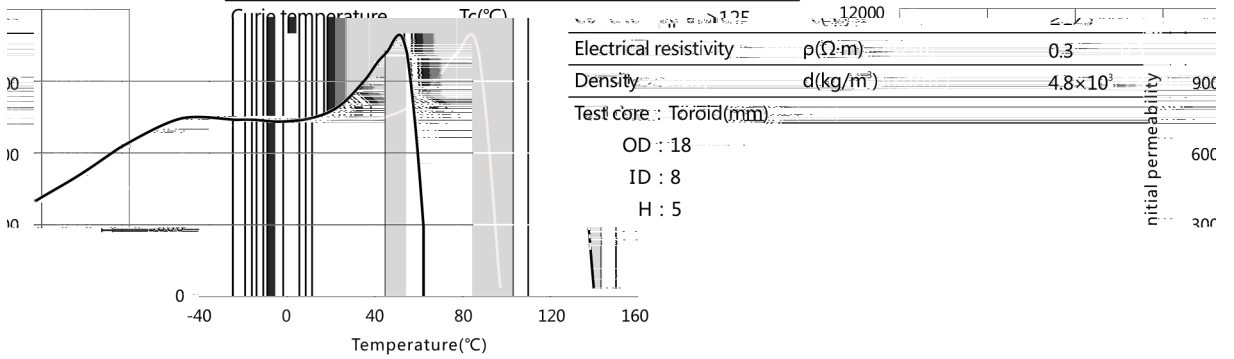
TS7

μ' (μ'')-Frequency

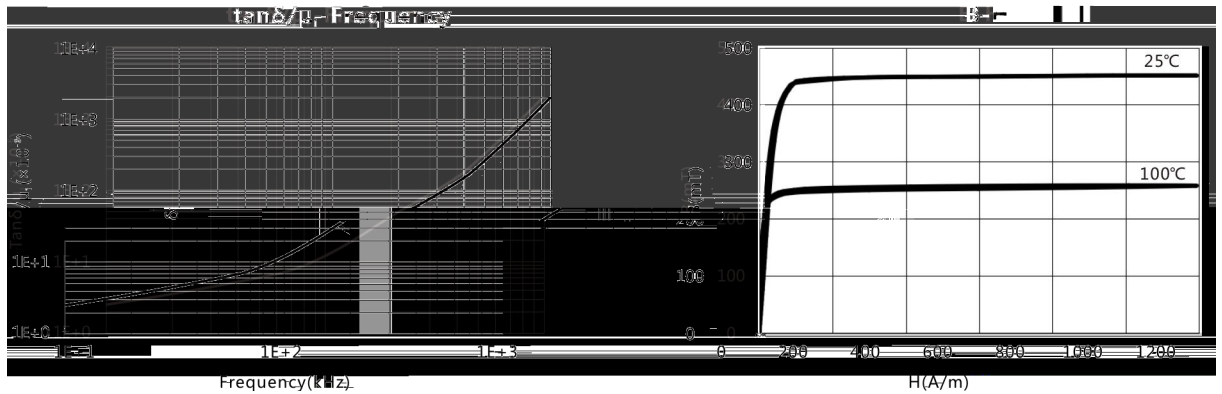


Temperature (°C) 20°C~60°C 0.5~2.0
 D_F 1~10min <2.5

μ'' -Temperature



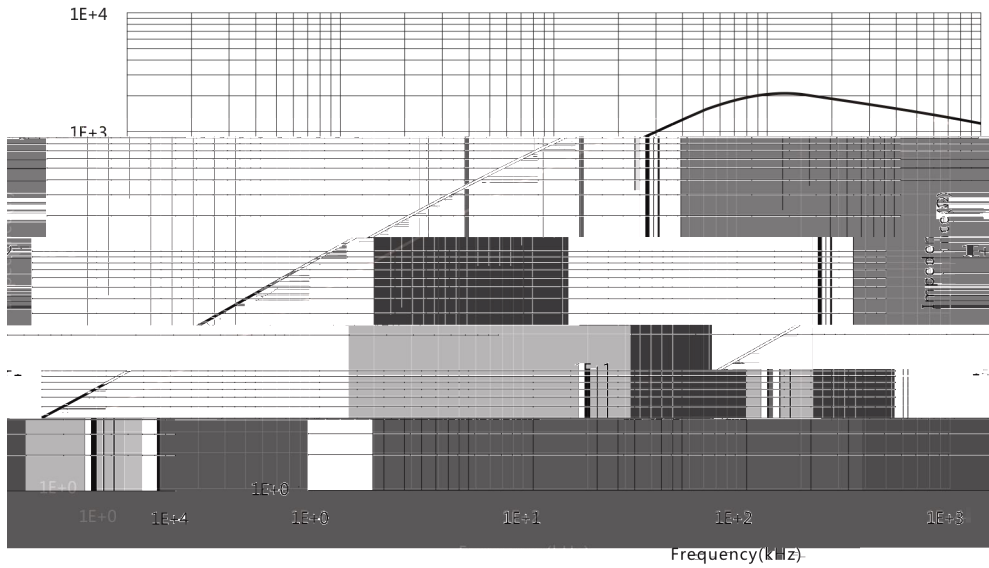
$\tan\delta/\mu'$ -Frequency



TS7

Z-Frequency

N=10TS, Φ 0.35mm, T=25°C



Bs-Temperature

H=1194A/m

