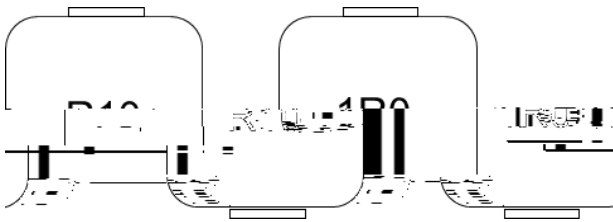
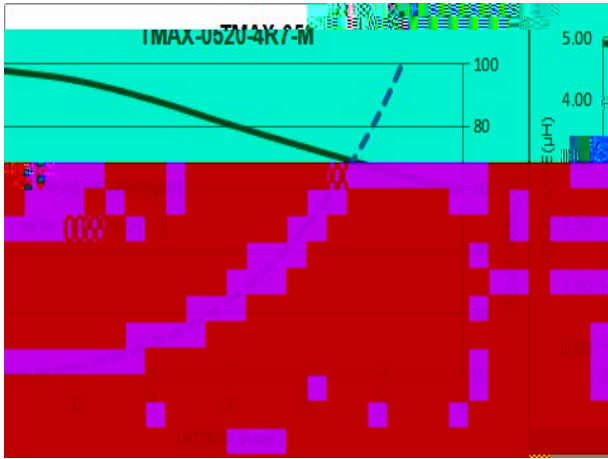


- 
- 



	$\mu$					

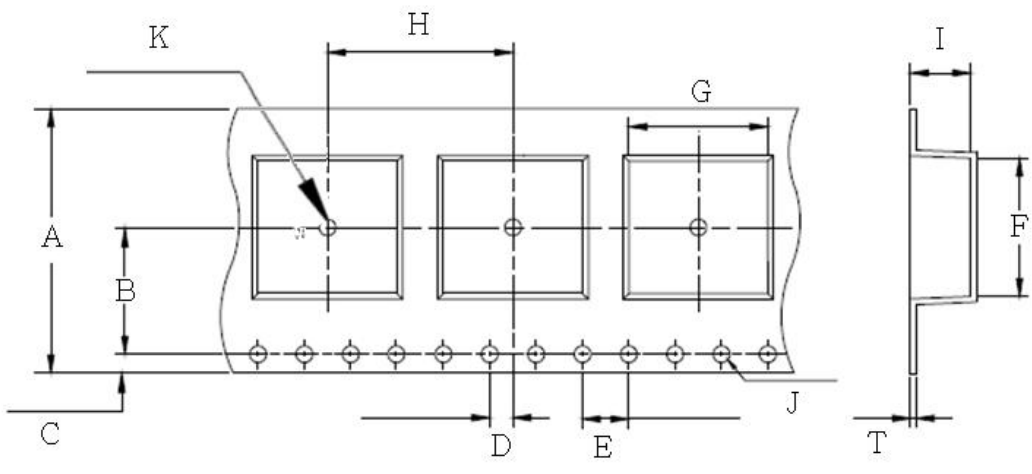


±

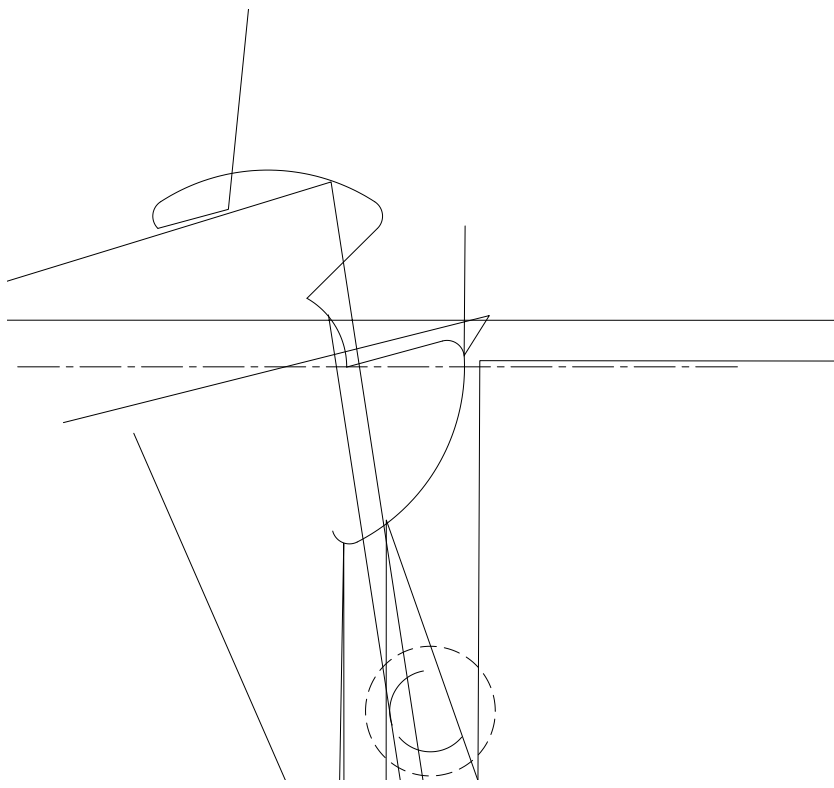
±

±

	$\pm$ $\pm$ $\rightarrow$ $\rightarrow$ $\pm$ $\pm$ $\rightarrow$	
		$\pm$
		$\pm$
		$\pm$
		$\pm$
		$\pm$

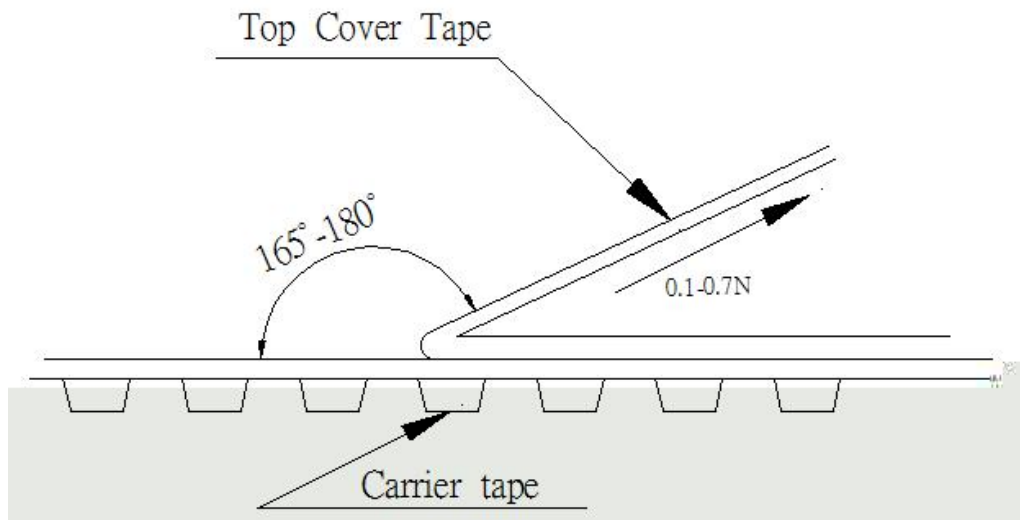


±	±	±	±	±	±
±	±	±	±	±	±



±	±	

- 
- 







●

●

●

✓

✓

✓

✓

✓

✓

✓

✓

✓

✓

➤

